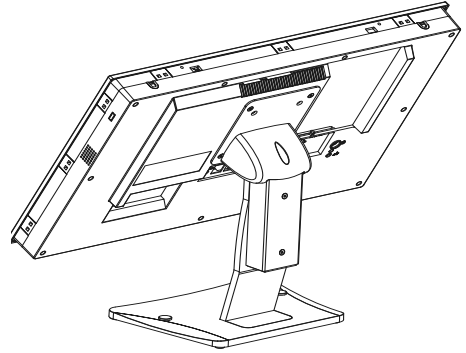


PPC Series Stand

PPC-STAND-A1E

User Guide



Packing List

Item	Name	Qty.	Pic.	Item	Name	Qty.	Pic.
A	Screw (M4x8L)	12 (4 x spare)		B	Screw (M4x6L)	6 (2 x spare)	
C	Screw (M4x5L)	2 (1 x spare)		1	Hinge	1	
2	VESA Bracket	1		3	Hinge Cover	1	
4	Base Plate	1					

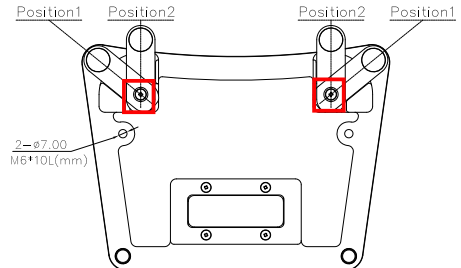
IMPORTANT Base Plate Adjustment

Consider the thickness of your PC when adjusting the feet of the stand.

If your PPC panel PC has a thickness of less than 80 mm, leave the feet in Position 1 (default).

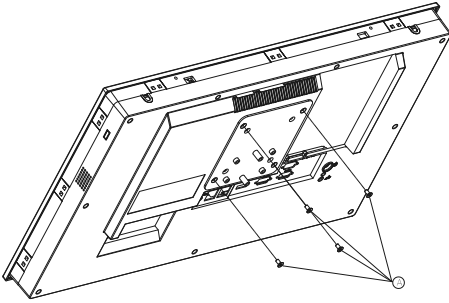
If your PPC panel PC has a thickness of more than 80 mm, loosen the two screws highlighted in red in the image to the right and adjust the position of the feet to Position 2. Once the feet are in the correct position, tighten the two screws.

Note: If the PPC panel PC's thickness is more than 125 mm, this stand CANNOT reliably hold the PC.

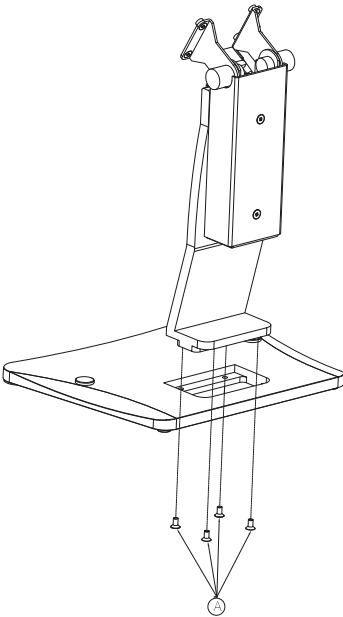


Installation Guide

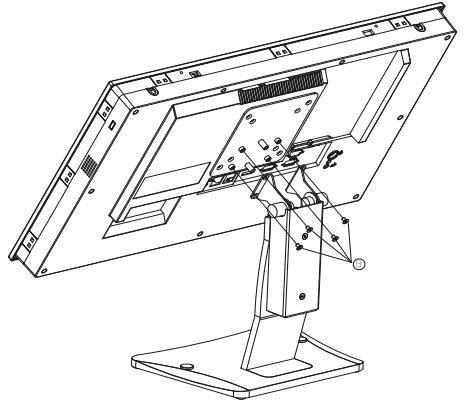
Step 1: Use 4 x screws (Item A) to secure the VESA bracket (Item 2) to the rear of the panel PC. Users can choose between a 75x75 mm or 100x100 mm VESA mount according to their application needs.



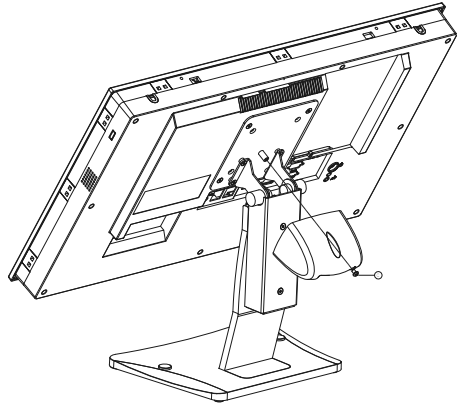
Step 2: Use 4 x screws (Item A) to secure the base plate (Item 4) to the hinge (Item 1).



Step 3: Use 4 x screws (Item B) to secure the hinge (Item 1) to the VESA bracket (Item 2).



Step 4: Use 1 x screw (Item C) to secure the hinge cover (Item 3) to the VESA bracket (Item 2).



The assembled PPC series stand with PPC panel PC should appear as shown below.

