

ELMATIC OPC SERVER

OPC SERVER

**Universal OPC server enabling integration with the IoT cloud.
Standard interface for SCADA/MES systems.**

- OPC UA/DA/AE, Modbus, MQTT, EtherNet/IP, BACnet, HTTP
- Up to 255 clients simultaneously
- Unlimited number of tags
- 100 OPC sessions, unlimited subscriptions/items; min. 10 ms sampling
- Reverse Connect: limit of 10 connections
- Operating temperature -10 ~ 40°C
- 65W power supply



Properties



Certificates



Software OPC Technical Data

ELMATIC OPC SERVER

OPC DXP SERVER	OPC Standards	OPC UA 1.04 (DA, HDA, A&C, Pub/Sub, Reverse Connect), OPC DA 3.0/2.05a, OPC AE 1.10
	Additional Protocols	MQTT 3.11 (QoS 0/1/2, TLS/SSL), HTTP/HTTPS (REST API), Modbus/TCP (Server), SuiteLink, DxpLink, ODBC, DDE
	Security	OPC UA Security Policies (Basic256Sha256, AES128/256), Modes: None/Sign/Sign&Encrypt, Authentication: Anonymous, Username/Password, X.509 Certificates
	Performance	Up to 255 simultaneous connections, Unlimited tags, Simulation modes (Random, Ramp, Sine, Static)
	Device Support	400+ device series, 100+ manufacturers (Siemens, Mitsubishi, Omron, Rockwell, Fanuc, Yaskawa, ABB, Schneider, etc.)
	Advanced Features	Hot Configuration (no restart), Data Bridge (cross-device mapping), Lua scripting, Redundancy support

Elmark Automatyka reserves the right to change the configuration without warning.

Elmark Automatyka S.A.

ul. Bukowińska 22 lok. 1B, 02-703 Warszawa

www.elmark.com.pl, e-mail: elmark@elmark.com.pl, tel.: (+48) 22-773-79-37

TAX ID: 5252072585, KRS: 0000803828, Sqd Rejonowy dla M.St. W-wy, XIII Wydział Gosp. KRS, Share capital 625.000 zł, fully paid-up.

Hardware Technical Data

ELMATIC OPC SERVER

System	CPU	Intel Alder Lake N97
	Total Cores	4
	Total Threads	-
	Frequency	2 GHz, up to 3.6 GHz
	Cache	6 MB
	Memory	1 x SODDR5 8GB industrial grade
	Storage	128GB SSD 2,5" industrial grade
	Network (LAN)	2 x 2.5 GbE LAN (RJ-45)
	I/O	6 x USB 2.0 2 x USB 3.2 Gen 2 2 x USB 3.2 Gen 1 1 x RS-232/422/485 1 x RS-232 1 x GPIO 8-bit (4*GPI; 4*GPO) 1 x HDMI 1 x DisplayPort 1 x Line-out 1 x Mic-in
Physical Characteristics	Expansion	1 x M.2 B key (SATA/PCIe x1), 2242/3042/2280 1 x M.2 E key (PCIe x1, USB 2.0), 2230
	Dimensions	200 x 150 x 55 mm (W x D x H)
	Weight	2.6 kg
Power Consumption	Input Voltage	DC-in 9-36V with Lockable DC Jack Phoenix pluggable connectors with latch (V+, V-)
	Power supply	19V/65W Power supply
OS Support	Windows	Windows 11 IoT LTSC
Environment	Operating Temperature	-10 ~ 40 °C
	Shock	IEC61373 Category 1, Class B
	Vibration	IEC61373 Category 1, Class B
	EMC	CE, FCC, RCM, VCCI, BSMI, UKCA, IC
	Safety	BSMI

Elmark Automatyka reserves the right to change the configuration without warning.

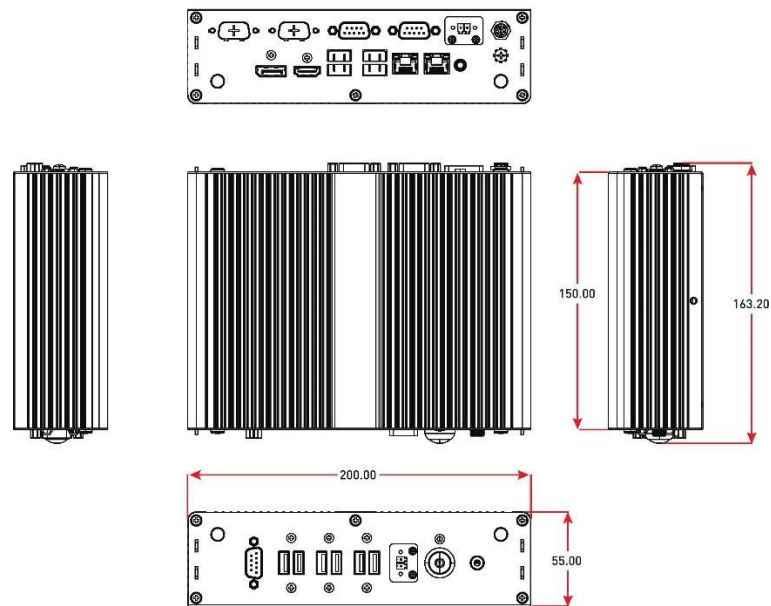
Elmark Automatyka S.A.

ul. Bukowińska 22 lok. 1B, 02-703 Warszawa

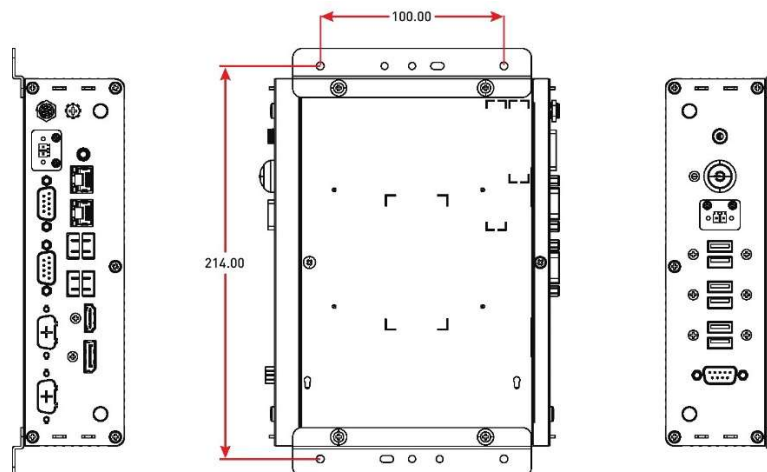
www.elmark.com.pl, e-mail: elmark@elmark.com.pl, tel.: (+48) 22-773-79-37

TAX ID: 5252072585, KRS: 0000803828, Sqd Rejonowy dla M.St. W-wy, XIII Wydział Gosp. KRS, Share capital 625.000 zł, fully paid-up.

Dimensions [mm]



ELMATIC OPC SERVER without optional VESA mounting



ELMATIC OPC SERVER with optional VESA mounting

Elmark Automatyka reserves the right to change the configuration without warning.

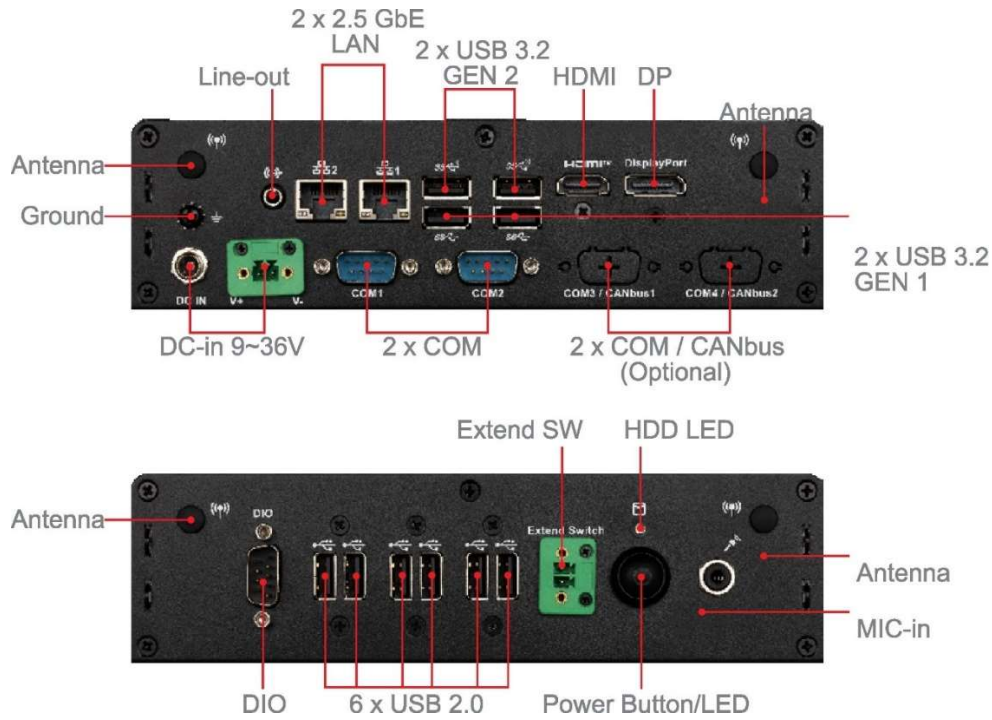
Elmark Automatyka S.A.

ul. Bukowińska 22 lok. 1B, 02-703 Warszawa

www.elmark.com.pl, e-mail: elmark@elmark.com.pl, tel.: (+48) 22-773-79-37

TAX ID: 5252072585, KRS: 0000803828, Sqd Rejonowy dla M.St. W-wy, XIII Wydział Gosp. KRS, Share capital 625.000 zł, fully paid-up.

Inputs/Outputs



Packing list

- ELMATIC OPC SERVER
- Power cable (type E/F)
- Windows license
- CE Declaration

Ordering information

Part Numer	Description
ELM-OPC-SRV-S	Elmatic DxpSERVER Single OPC Server
ELM-OPC-SRV-M	Elmatic DxpSERVER Multiple OPC Server
ELM-OPC-SRV-P	Elmatic DxpSERVER Professional OPC Server

Accessories

Part Number	Description
E22-9A95080-C22	VESA Mounting

Elmark Automatyka reserves the right to change the configuration without warning.

Elmark Automatyka S.A.

ul. Bukowińska 22 lok. 1B, 02-703 Warszawa

www.elmark.com.pl, e-mail: elmark@elmark.com.pl, tel.: (+48) 22-773-79-37

TAX ID: 5252072585, KRS: 0000803828, Sqd Rejonowy dla M.St. W-ów, XIII Wydział Gosp. KRS, Share capital 625.000 zł, fully paid-up.